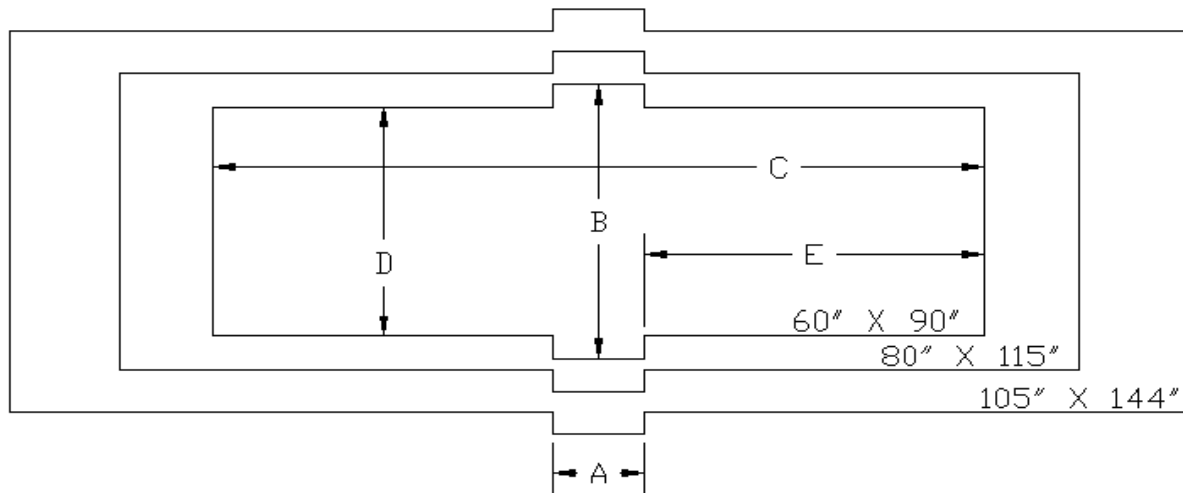


CLEEN-CUT FLATBED DIE CUTTER SPECIFICATIONS

	<u>60" x 90"</u>	<u>80" x 115"</u>	<u>105" x 144"</u>
Max Die Width	60"	80"	105"
Max Die Length	Unlimited	Unlimited	Unlimited
Floor Space	89 1/2" x 204"	109" x 254"	133" x 312"
Height	66 5/8"	66 5/8"	66 5/8"
Max Opening Height	4"	4"	4"
Shipping Weight	5000 lbs	6000 lbs	7000 lbs
Table Height	31"	31"	31"
Drive Motors	1HP + 3HP	1HP + 3HP	3HP + 3HP
Start/Stop Controls	Operator Sides Only	4 Locations	4 Locations
Automatic/Manual Modes	Yes	Yes	Yes
Safety Light Curtain	Yes	Yes	Yes
Guarding Meets OSHA Regs	Yes	Yes	Yes
0-30 sec Independent Dwell Timers	Yes	Yes	Yes
Lockout/Tagout on Disconnect	Yes	Yes	Yes
Bonded Urethane Top Cutting Cylinder	Yes	Yes	Yes
Travel Speed	165'/min	165'/min	165'/min
A	24"	24"	24"
B	89 1/2"	109"	133"
C	204"	254"	312"
D	65 1/2"	85 1/2"	109 1/2"
E	90"	115"	144"



Electrical Specifications

For 60" & 80" - 440 volt 15 amp 3 phase 60 Hz, 220 volt 30 amp 3 phase 60 Hz

For 100" - 440 volt 20 amp 3 phase 60 Hz, 220 volt 35 amp 3 phase 60 Hz

Single phase and 50 Hz available